

Removal and installation

Removal

- Remove the front door sill trim.
- Remove the front door sill trim.
- Remove the front door sill trim.
- Remove the front door sill trim.
- Remove the front door sill trim.
- Remove the front door sill trim.



General	11
Removing the hardtop	12
Fitting the hardtop	13
Hardtop storage	15
Hardtop care	16

General

To start with, some important information:

This manual serves as a supplement to the owner's manual for your vehicle. Keep it safely together with your other vehicle papers.

Please refer to the owner's manual for your vehicle or to the corresponding supplementary owner's manual for information on other items of vehicle equipment. Your BMW service centre will help you with any queries.

Advanced engineering and high level of quality of BMW equipment is ensured by permanent development. It is therefore possible that discrepancies occur between this supplementary owner's manual and the equipment in your vehicle.

We cannot exclude all errors either and in this we would ask for your understanding so that no legal claims may be brought deriving from the data, illustrations and descriptions in this manual.

Even in winter when the hardtop may be in constant use, the fabric soft top does not need to be dismantled. Before the fabric soft top is stowed in the soft top compartment, it must be completely dry to prevent water and mildew stains forming.

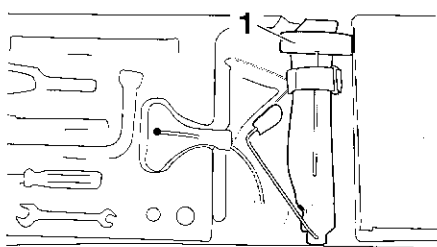
Two people are required to dismantle and fit the hardtop. When doing so, proceed with the greatest care to avoid injuring the paint and doing damage to the body and hardtop.

To make the removal and fitting of the hardtop easier for you, a specially developed universal lift plus a suitable adapter is available at your BMW service centre.

Further accessories to help store the hardtop

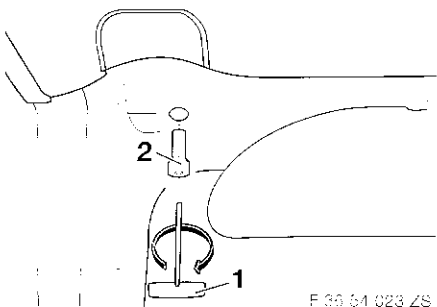
- Hardtop support, mobile
- Cover with wall bracket (already included in the hardtop parts package)

12 Removing the hardtop



F 36 54 038 ZS

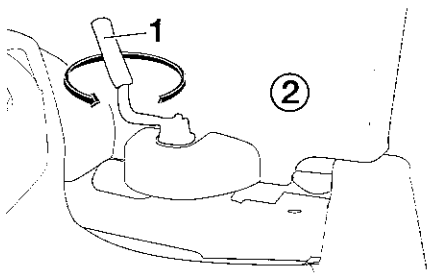
Take mounting key (1) out of the tool kit.



F 36 54 023 ZS

Using the mounting key (1), loosen the two screws (2) of the front hardtop mounting in the direction of the arrow.

The two screws remain undetachable in the windscreen panel of your vehicle. ◀



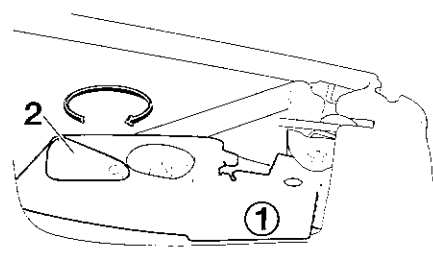
F 36 54 037 ZS

Undo the locking lever (1) of the hardtop (2) at the rear right and left in the direction of the arrow.

With the aid of a second person, lift the hardtop off the vehicle and store it as described under "Hardtop storage" on page 15.



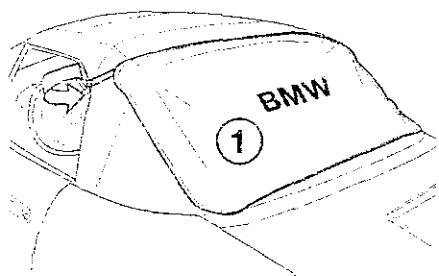
Carry out the above-described operations carefully in order to avoid injury to the paint or damage to the body and hardtop. ◀



F 36 54 044 ZS

Close the left and right openings in the covering (1) by turning the cover (2) in the direction of the arrow.

Place the mounting key (1) in the tool kit as shown in illustration F 36 54 038 ZS.

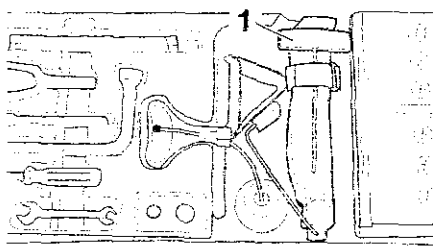


F 36 54 018 ZS

Hook protective cloth (1) to the convertible top bow (arrow). Place soft top in soft top compartment or necessary carefully placing the protective cloth in the folds of the rear window to prevent damage to the rear window, and fold down the unlocking lever on the convertible-top frame.

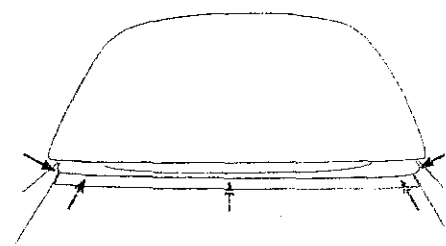


Please note the instructions "Operating the soft top" in the owner's manual for your vehicle. ◀



F 36 54 038 ZS

Take the mounting key (1) from the tool kit.



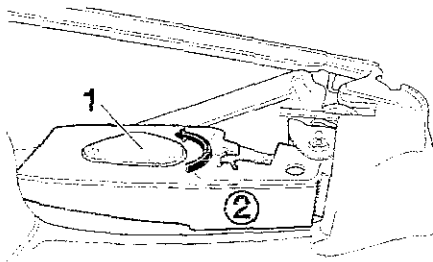
F 36 54 048 ZS

Before fitting the hardtop clean the sealing face (arrows) of dust and dirt to avoid chafe marks.

Remove hardtop from the protective cover (note hardtop storage on page 15) and with the help of another person, place it on the vehicle.

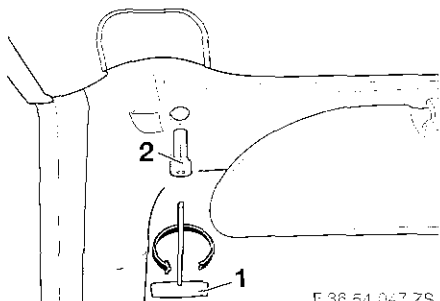


Carry out the above operations carefully to avoid injury to the paint or damage to the body and hardtop. ◀



F 36 54 045 ZS

Turn the left and right cover (1) of the covering (2) in the direction of the arrow until the opening is accessible.



F 36 54 047 ZS

Lock the locking levers (1) of the hardtop (2) on the left and right-hand side of the vehicle as far as possible in the direction of the arrow.



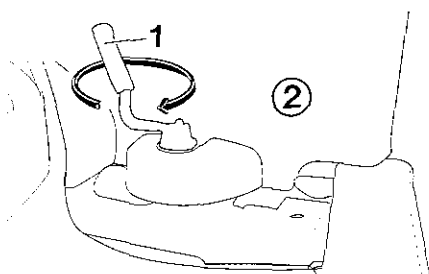
The rear quick-acting closures are duly locked when the locking levers are felt to engage and are pointing to the rear of the vehicle. ◀

Tighten the screws on the front hardtop mountings using the mounting key.

Place the mounting key (1) in the tool kit as shown in illustration F 36 54 038 ZS.

Using the mounting key (1), screw in the two screws (2) of the front hardtop mounting in the direction of the arrow by two to three thread turns.

The two screws (2) are already located in the windscreen panel of your vehicle. ◀



F 36 47 048 ZS

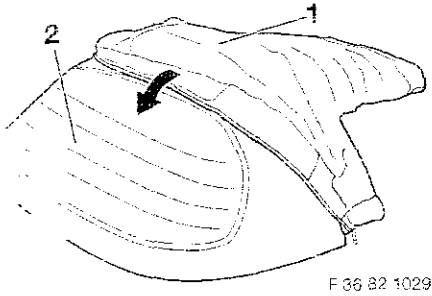


The front screw fittings to the hardtop are to be checked once again to see that they are firmly seated after a distance of approx. 50 to 100 km. ◀

Hardtop storage

Putting on the hardtop cover

Open the zip in the hardtop cover.

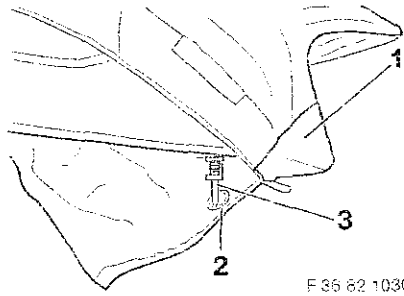


F 36 82 1029

Pull the hardtop cover (1) over the hardtop (2) from the front and adjust the hardtop cover to the contours of the hardtop.

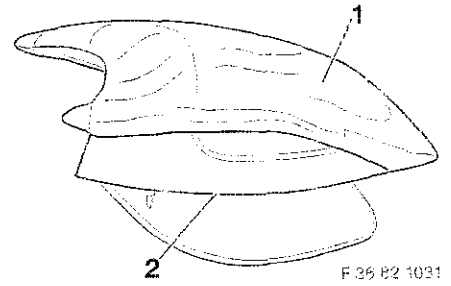


Take care when pulling on the hardtop cover that the zip fastener does not scratch the paint of the hardtop. ◀



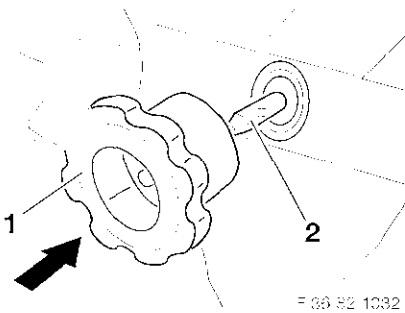
F 36 82 1030

Pull the corner (1) covered with imitation leather on the right-hand side over the hardtop. Then guide the eyelet (2) over the locking pin (3).



F 36 82 1031

Pull the hardtop cover (1) from right to left over the hardtop rear edge (2). Then, as described in illustration F36 82 1030, pull the corner covered with imitation leather on the left side of the hardtop cover over the hardtop and guide the eyelet over the locking pin. Now close the zip.



F 36 82 1032

Place the retention sleeve (1) on the locking pin (2).

Bring the hardtop into position at the point you have chosen to store it (wall or ceiling bracket in accordance with the installation instructions for the hardtop cover or hardtop support, mobile).



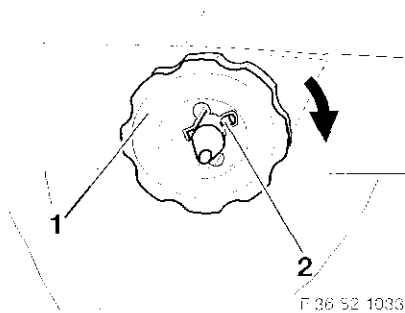
To mount the hardtop on the vehicle, please remove the hardtop from its cover in the reverse order of the work steps described above. ◀

Hardtop care

Please refer to the chapter "Car care" in the owner's manual for your vehicle.



Do not use solvents to clean your hardtop. Use only BMW-issued cleaners and care products. Use BMW rubber preserver now and then on the seals on your hardtop. ◀

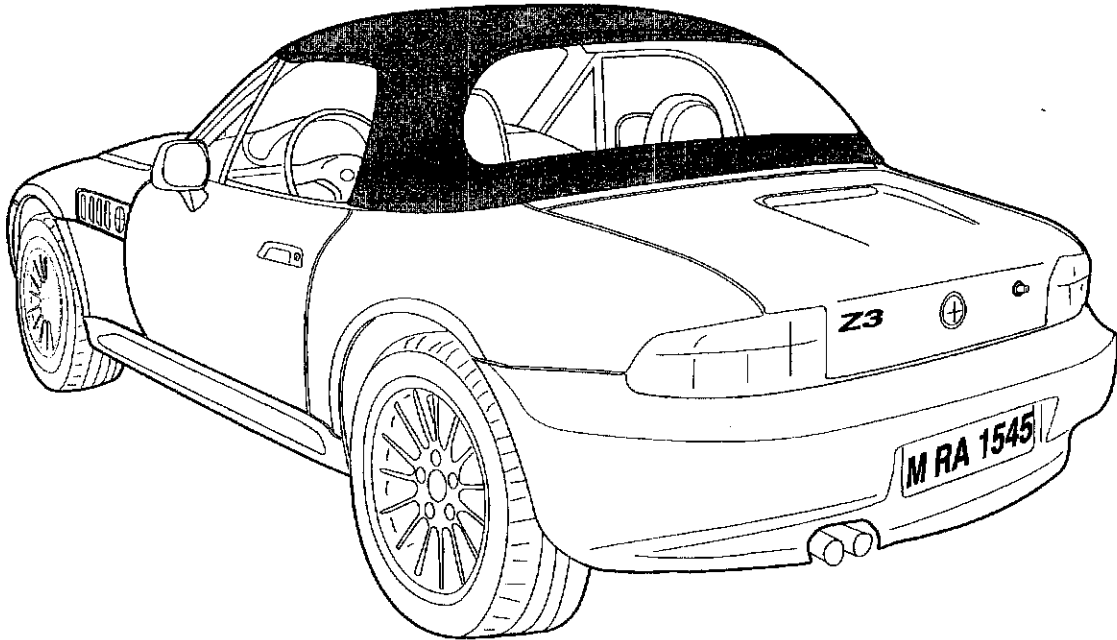


F 36 52 1033

Turn the retention sleeve (1) to the point where the pin (2) of the locking pin engages in the recess in the retention sleeve (1).



Teile und Zubehör - Einbauanleitung



F 36 54 001 ZS

BMW Parts and Accessories – Installation Instruction
Substructure for hardtop
BMW Z3 roadster (E36/7)

Substructure for hardtop BMW Z3 roadster (E 36/7)

Technical knowledge is required
Installation time approx. 1.5 hours, which can vary according to the condition and fittings of the vehicle.

Safety notes

Installation of the hardtop substructure is to be carried out only by a BMW specialist workshop. This is where the appropriately trained specialist personnel and necessary tools and auxiliary materials are exclusively available.
BMW accepts no liability for damage which occurs as a result of not following the work sequence and safety instructions. In addition, any warranty claim against BMW AG is extinguished in the event of improper fitting and handling which diverges from the installation and operating instructions.

Assembly notes

In vehicles with electrohydraulic soft top (EH soft top) the support for the plug-in connector and the electrical connection for the rear window defogger is already mounted. In these vehicles the storage box and the side trim panels do not have to be dismantled.

In vehicles with rollover protection system (ÜRRS) note should be taken of the Repair Instructions under 54 61 (Rollbar).

Recommendation

To make disassembly of the centre console, storage box and/or left side trim panel easier, it is practical to remove the left seat. The time spent on doing this, however, is not allowed for in the installation time and not shown in these installation instructions.

Vehicles with rollover protection system (ÜRSS)

Please refer to the Repair Instructions for disassembly of the rollbar and storage box.

Required tools and auxiliary materials

Phillips screwdriver
Screwdriver
Combination spanner SW 10 mm
Combination spanner SW 13 mm
Crimping tool for crimping stops (61 9 041)
Die for crimping tool (61 9 042)
Contact grease

Contents

Section

1. Parts kit for hardtop substructure
2. Preparatory operations
3. Install hardtop substructure
 - 3.1 Without subsequent hardtop fitting
 - 3.2 With subsequent hardtop fitting

1. Parts kit for hardtop substructure

F 36 54 002 ZS

- a Support for hardtop left (1x)
- b Support for hardtop right (1x)
- c Covering for support left (1x)
- c1 Covering cap left (1x)
- d Covering for support right (1x)
- d1 Covering cap right (1x)
- e Cover for switch of rear window defogger (1x)
- e1 Dummy plate (2x)
- f Switch for rear window defogger (1x)
- g Bracket for plug-in connector (1x)
- h Bracket for plug-in connector of cable set (k) (1x)
- i Hexagon-head screw (4x)
- j Screw cap (2x)
- k Adapter cable (1x) (preassembled in support a)
- k1 Pin housing (1x) (attached to adapter cable)
- l Contact pin 2.5 mm² (2x)
- m Contact pin 0.5 mm² (1x)
- n Installation instructions (1x)

2. Preparatory operations

Open soft top and retract the two opening levers again.

Dismantle driver's seat.

F 39 54 008 ZS

Press together the cover (1) underneath the holding fixture for the tonneau cover (2) and remove it from the vehicle.

Note

The two covers (1) on left and right are no longer required.

F 36 54 011 ZS

Loosen nut (1) of main pivot bracket (2) for soft top.

Repeat operations on the right-hand side of the vehicle.

3. Install hardtop substructure

F 36 54 003 ZS

Remove oddments tray (1) or ashtray from centre console (2) and loosen the screw which lies underneath. Loosen screw (3) on right and left.

F 36 54 004 ZS

Raise centre console (1) carefully, at the same time prising the oddments tray (2) out of the frame of the centre console (1).

Caution

Do not raise centre console (1) too high to avoid doing damage.

Note

The oddments tray (2) is no longer required.

F 36 54 005 ZS

Loosen screws (1) of the rear oddments tray (only in vehicles without EH soft top). Take hold of the centre console through the aperture (2) and guide the tied-back plug housing (3) (electrical connection for switch for rear window defogger) through the opening (2).

Remove foam cladding (4) from the plug housing (3).

Only for vehicles without electrohydraulically activated soft-top.

F 36 54 006 ZS

Remove covering caps (1) of the storage compartment (2) and loosen the screws which lie underneath.

Only for vehicles with hi-fi system (Harman Kardon)

F 36 54 050 ZS

Remove covering caps (1) of the storage compartment (2) and loosen screws which lie underneath.

Prise up lid of storage compartment (2) with a screwdriver.

All vehicles without electrohydraulically activated soft top

F 36 54 007 ZS

Open cover (1) of storage compartment and loosen the two screws (2). Remove storage compartment housing.

F 36 54 009 ZS

Carefully prise out sill strip (1) and weatherstrip (2) on the left-hand side of the vehicle. Loosen screws (3). Pull seat belt out to some extent from the retractor reel.

Get a second person to lift the soft top slightly and remove the trim panel (4) by turning it anti-clockwise. Place it to one side.

Note

It is not necessary to dismantle the seat belt.

F 36 54 010 ZS

Separate the tied-back cable (1) from the wiring harness (2). Guide the cable (1) with connector (3) along the wiring harness (2) in the direction of the main pivot bracket of the soft top.

F 36 54 012 ZS

Lay cable (1) in the vicinity of the main pivot bracket (2) for the soft top and reinstall the side trim panel (3). Place support fixture (h) in the bracket (g) and turn by approx. 45°. Clip pin housing (k1) of the cable (1) onto the support fixture (h).

Caution

In some vehicles it may happen that the plug housing of the vehicle wiring harness (1) does not correspond to the socket housing of the adapter cable (k).

In these vehicles, the plug housing of the cable (1) is to be replaced by the pin housing (k1) with the appropriate contact pins (l and m) attached to the adapter cable (k).

The existing pin housing on the adapter cable (k) (2 cables 0.5 mm²) is provided for the EH soft top. The plug connection for the rear window defogger of the hardtop is provided with three cables (2 x 2.5 mm² and 1 x 0.5 mm²).

Note

Please note the information given in the Repair Instructions under "General vehicle electrical system Unified Parts Grouping 61".

F 36 54 049 ZS

Insert socket housing (1) of the adapter cable (k) in the pin housing (k1) and place bracket (g) on the set screw (2).

Only for vehicles with electrohydraulically activated soft top

In vehicles with EH soft top, the bracket (g) with support fixture (h) is already fitted. Remove the plug and socket connection retained on the support fixture (h) and separate it. Insert adapter cable (k) between the separated plug and socket connection and lock it again on the support fixture (h). Fit the bracket (g) as shown in the illustration F 36 54 049 ZS.

All vehicles

F 36 54 013 ZS

Screw together hardtop support (a) to main pivot bracket (1) for soft top with screws (i) on the left-hand side of the vehicle. Tighten flanged nut (2) again on the threaded stud.

Tightening torque of the screws (i): 28-32 Nm.

F 36 54 015 ZS

Screw together hardtop support (b) to main pivot bracket (1) for soft top with screws (i) on the right-hand side of the vehicle. Tighten flanged nut (2) again on the threaded stud.

Tightening torque of the screws (i): 28-32 Nm.

F 36 54 016 ZS

Re-install the storage box (1) in the reverse sequence of disassembly (only vehicles without EH soft top. Press switch (f) into the panel (e) and connect it to the plug housing (2). With the aid possibly of a second person, press panel (e) into the support frame (3) of the centre console (4) until it audibly engages. Depending on the vehicle equipment, the dummy plates (e1) are to be inserted in the panel (e). Firmly screw the centre console (4) on again.

Note

In certain vehicles with corresponding optional equipment, the panel (e) is already fitted. In this case it is not necessary to change the panel (e).

3.1 Without subsequent hardtop fitting

F 36 54 042 ZS

Tighten screws (1) on hardtop support and attach the two connectors (2) of the adapter cable (k).

Tightening torque of the screws (1): 9 Nm

Caution

Do not secure the screws (1) with Loctite.

Coat the contacts of the hardtop support with contact grease.

F 36 54 043 ZS

Place covering (c) on the set screw of the main pivot bracket (1) of the soft top and screw it on to the hardtop support with screw (j). Insert covering cap (c1) in the covering (c) and twist it until the opening in the covering (c) is covered.

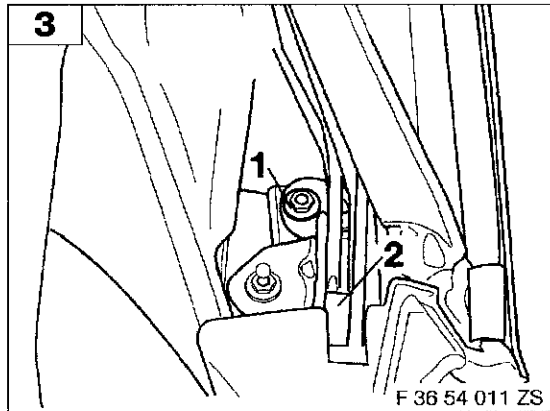
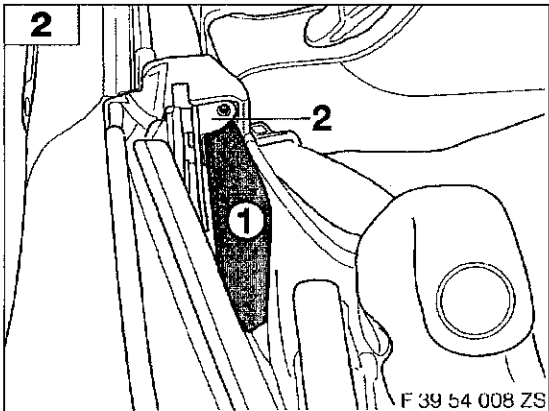
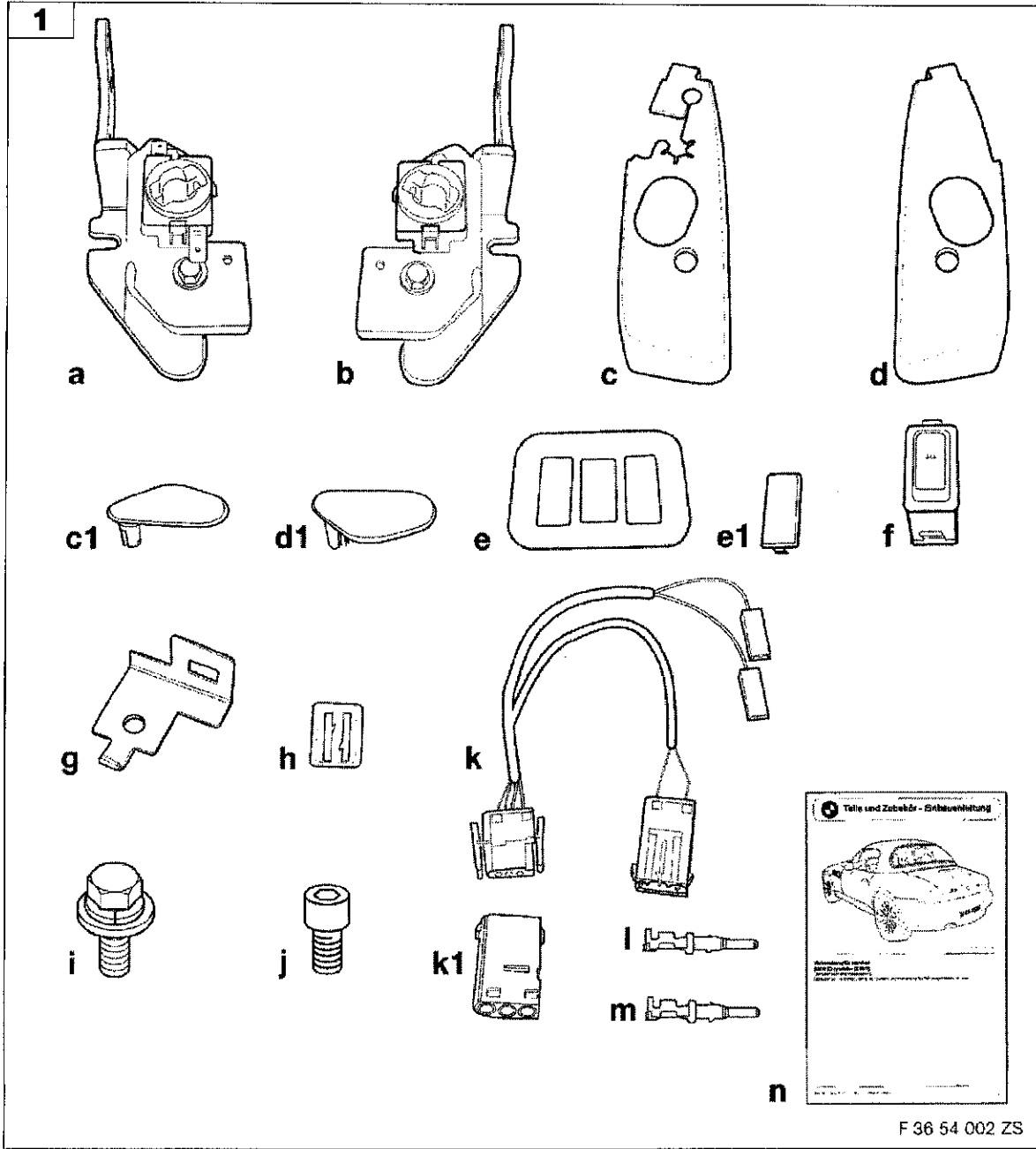
Tightening torque of the screws (j): 4 - 6 Nm.

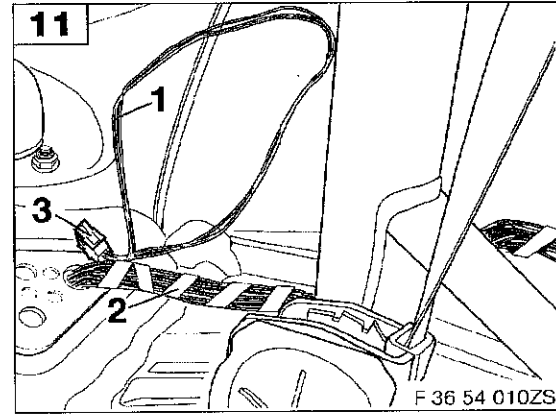
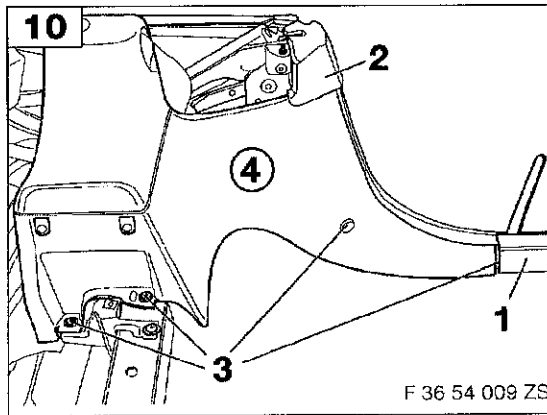
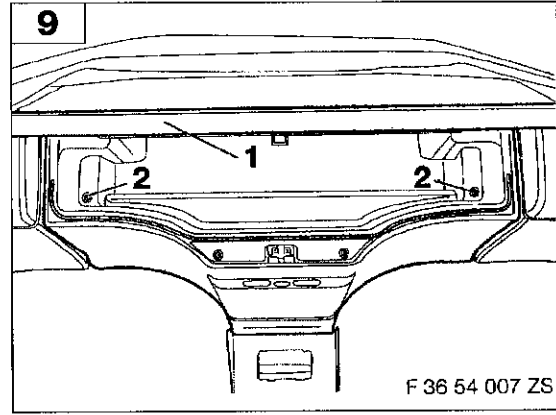
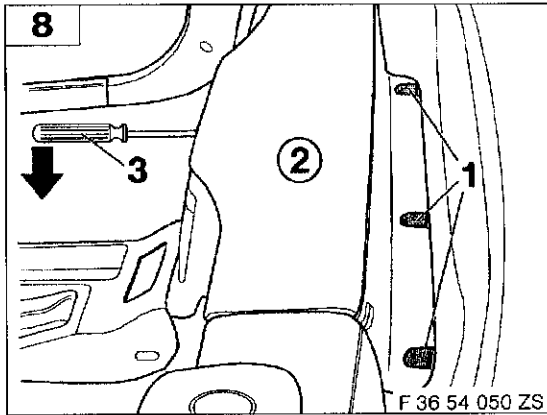
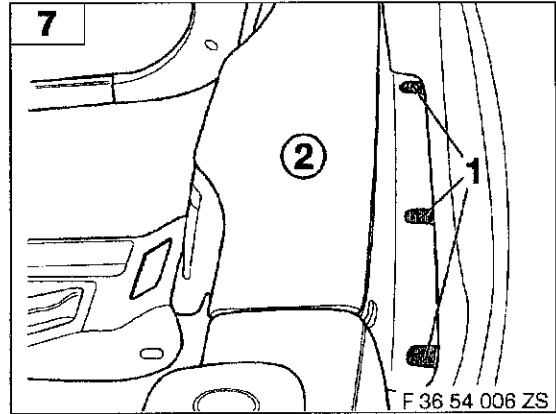
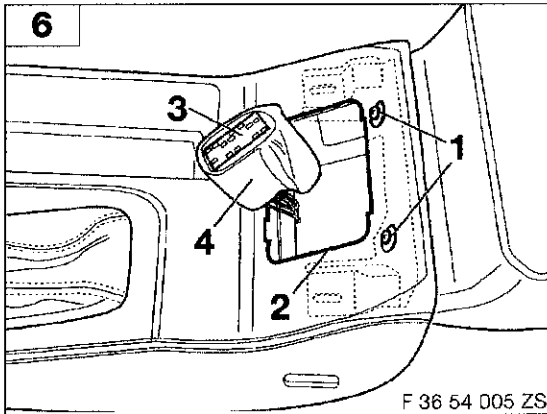
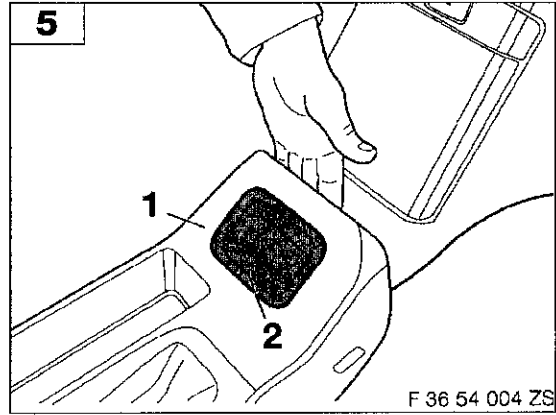
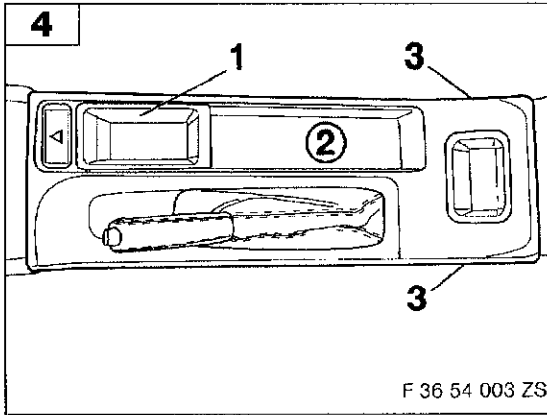
Repeat operations on the right-hand side of the vehicle.

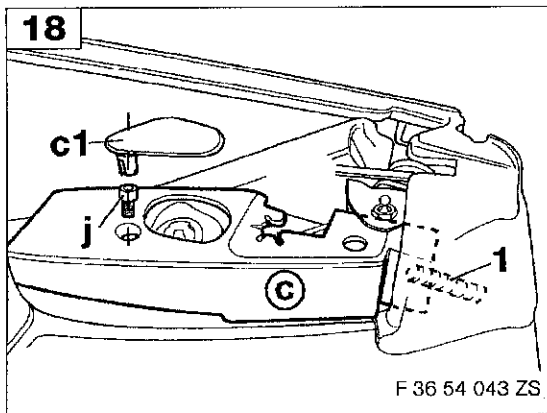
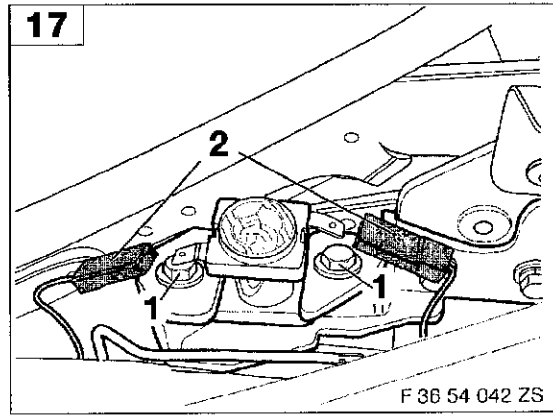
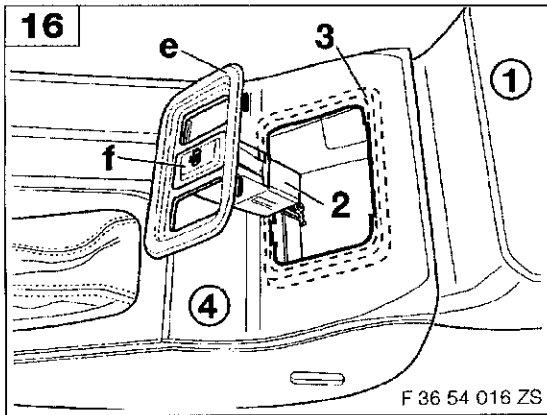
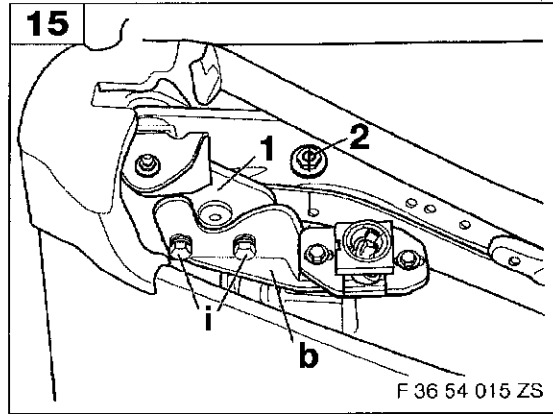
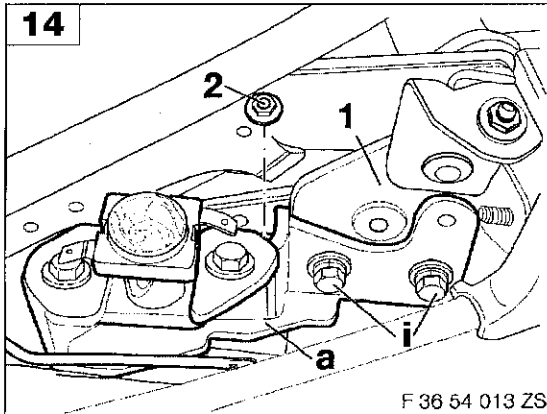
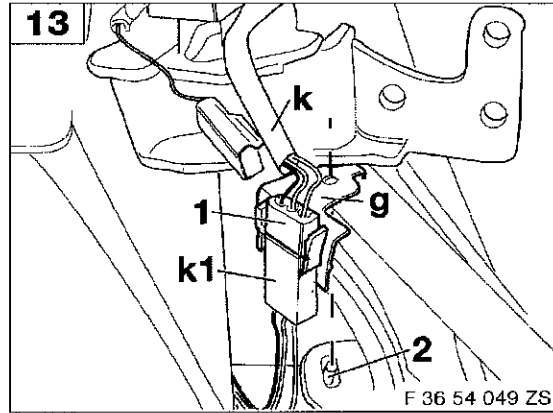
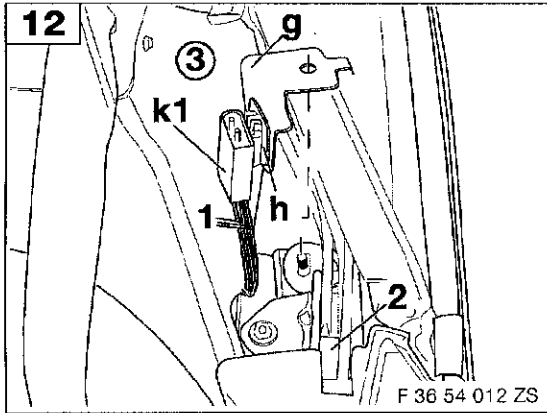
3.2 With subsequent hardtop fitting

With subsequent hardtop fitting, the two plug connectors of the adapter lead are not put on the hardtop supports for the time being and the coverings are not fitted.

Further operations are to be carried out in accordance with the installation instructions "Hardtop - first fitting".

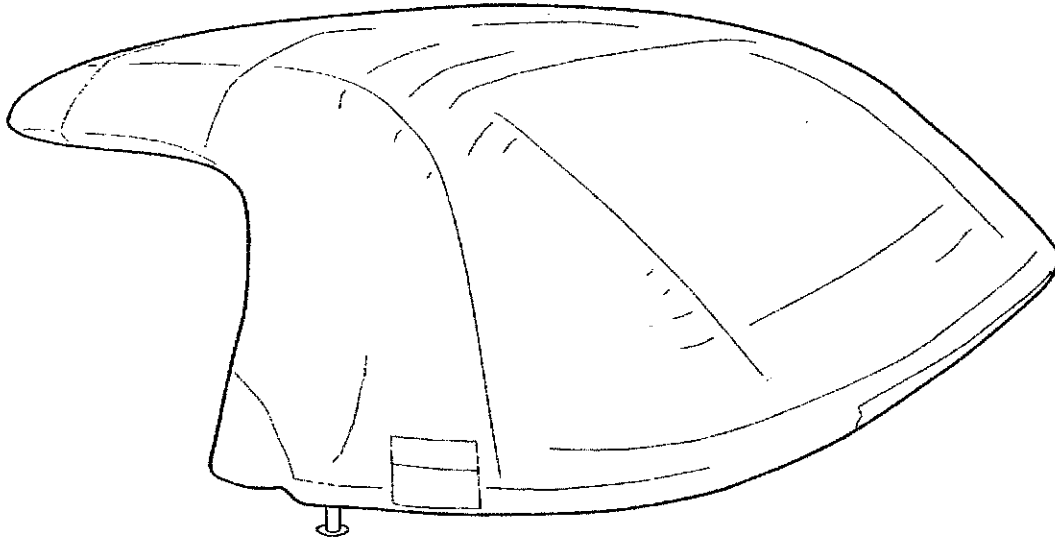








Teile und Zubehör - Einbauanleitung



F 36 82 1027

Hardtophülle für BMW Z3 roadster (E36/7)

BMW Parts and Accessories – Installation Instruction
Hardtop Covering
for BMW Z3 roadster (E36/7)

Instructions de montage des pièces et des accessoires BMW
Housse de hardtop
pour BMW Z3 roadster (E36/7)

BMW Onderdelen en accessoires – Montagehandleiding
Hardtophoes
voor BMW Z3 roadster (E36/7)

BMW Delar och tillbehör – Monteringsanvisning
Hardtopskydd
till BMW Z3 roadster (E36/7)

Ricambi e accessori BMW – Istruzioni di montaggio
Custodia per hard top
BMW Z3 roadster (E36/7)

BMW piezas y accesorios – instrucciones de montaje
Cubierta para el techo rígido para
BMW Z3 roadster (E36/7)

Peças e Acessórios BMW – Instruções de Montagem
Cobertura da capota hardtop
para os modelos BMW Z3 roadster (E36/7)

Die in dieser Einbauanleitung aufgeführten Arbeitsschritte und Sicherheitshinweise für das Auf- und Abziehen der Hardtophülle und das Aufhängen des Hardtops mit der Hardtophülle müssen unbedingt eingehalten werden.

Die Hardtophülle ist so konstruiert, daß bei sachgemäßer Montage und Bedienung keine Schäden am Hardtop auftreten können.

Für Schäden, die durch Mißachtung der Arbeitsreihenfolgen und der Sicherheitshinweise auftreten, übernimmt BMW keine Haftung. Außerdem erlischt bei unsachgemäßer, von der Montage- und Bedienungsanleitung abweichender Montage und Handhabung der Garantieanspruch gegenüber der BMW AG.

Sicherheitshinweise

Die Montage ist gemäß der Einbauanleitung vorzunehmen.

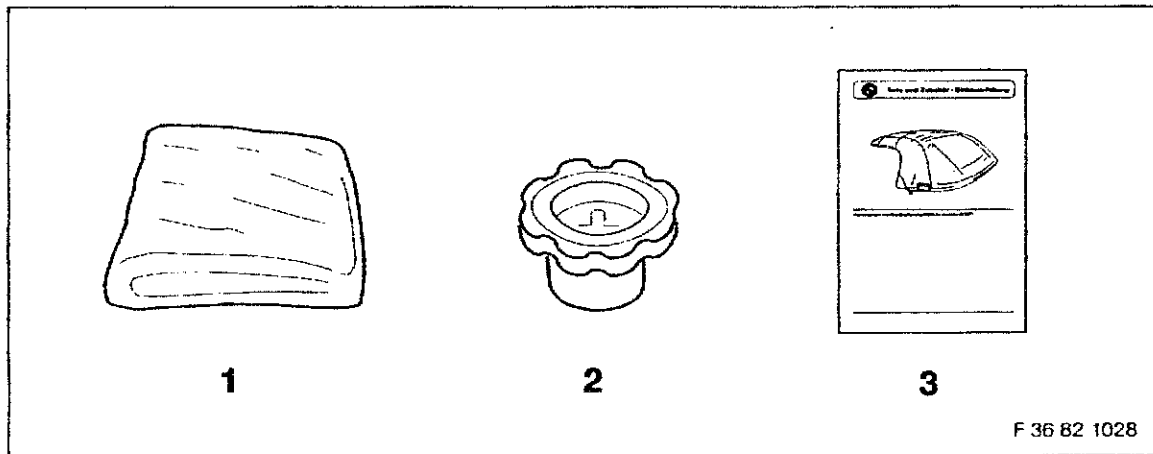
Allgemeine Hinweise

Bei Falschmontage ist eine Beschädigung des Hardtops möglich.

Zur Erleichterung der Montage sollte die Hardtophülle von zwei Personen aufgezo-gen werden. Auch die Montage des Hardtops an Wand oder Decke sollte durch zwei Personen erfolgen.

An der Hardtophülle sind drei mit Klettbandern abgedeckte Aussparungen angebracht. Dadurch können Sie das Hardtop samt Hardtophülle mit dem Universal- Lift (BMW Nr. 82 71 9 404 400) und dem dazugehörigen Tragegurt Hardtop Z3 (BMW Nr. 82 71 9 407 994) aufbewahren.

Teilesatz



1 Hardtophülle (1x)

2 Arretierungshülse (2x)

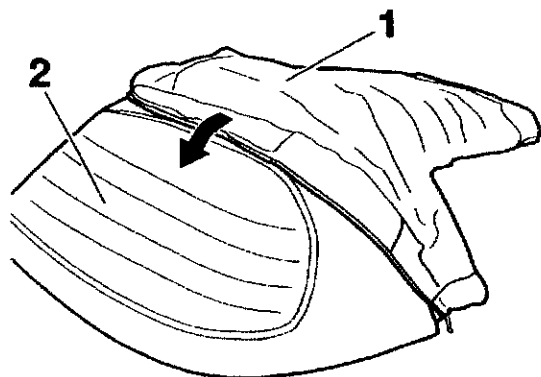
3 Einbauanleitung (1x)

Inhaltsverzeichnis

Kapitel	Seite
1. Aufziehen der Hardtophülle	3
2. Aufbewahrungsmöglichkeiten.....	4
2.1 Wandmontage.....	4
2.2 Deckenmontage.....	4

1. Aufziehen der Hardtophülle

Reißverschluss der Hardtophülle öffnen.

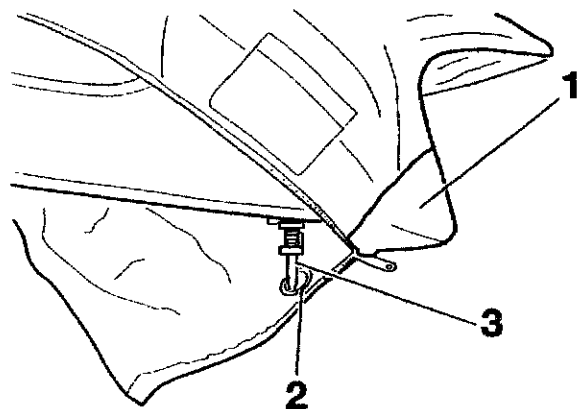


F 36 82 1029

Ziehen Sie die Hardtophülle (1) von vorne über das Hardtop (2) und passen Sie die Hülle der Kontur an.

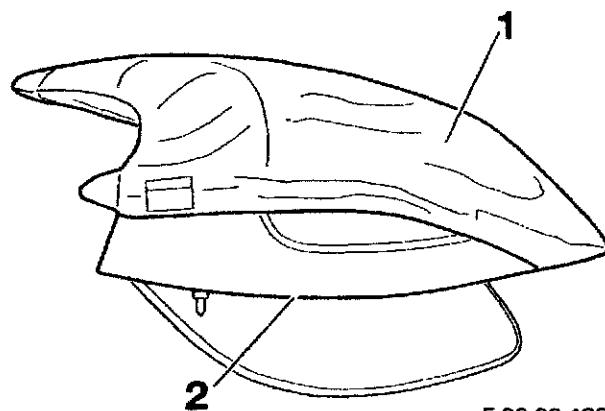


Achten Sie beim Überziehen der Hardtophülle darauf, daß der Reißverschluss nicht den Lack zerkratzt. ◀



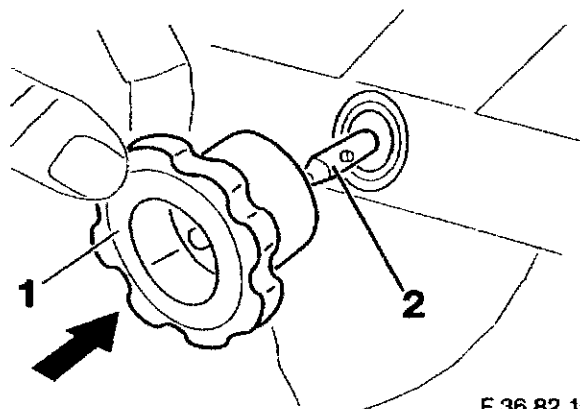
F 36 82 1030

Die mit Kunstleder bezogene Ecke (1) an der rechten Seite über das Hardtop ziehen. Führen Sie anschließend die Öse (2) über den Verriegelungsbolzen (3).



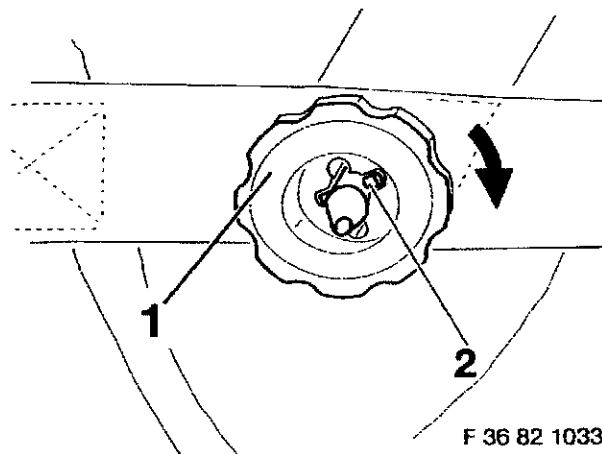
F 36 82 1031

Ziehen Sie die Hardtophülle (1) von rechts nach links über die Hardtophinterkante (2). Anschließend die linke mit Kunstleder bezogene Ecke der Hardtophülle wie in Bild F 36 82 1030 beschrieben über das Hardtop ziehen und die Öse über den Verriegelungsbolzen führen. Schließen Sie nun den Reißverschluss.



F 36 82 1032

Stecken Sie die Arretierungshülsen (1) auf die Verriegelungsbolzen (2).




F 36 82 1033


Drehen Sie die Arretierungshülse (1) so weit, bis der Stift (2) des Verriegelungsbolzen in der Aussparung der Arretierungshülse (1) einrastet.

2. Aufbewahrungsmöglichkeiten

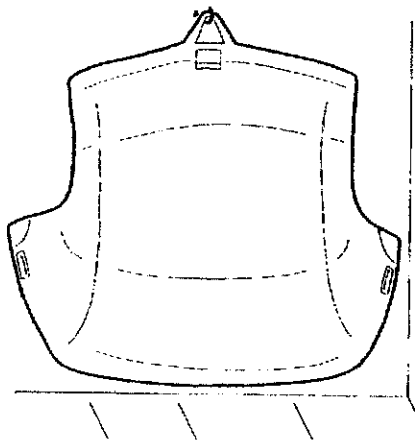
Die Hardtophülle bietet Ihnen folgende Möglichkeiten Ihr Hardtop aufzubewahren:

1. Aufhängen des Hardtops an der Wand
2. Aufhängen des Hardtops an der Decke

 Der Dübel und der Haken für die Wandmontage müssen für eine Belastung von mindestens 300 kg ausgelegt sein. Die Dübel und Haken für die Deckenmontage müssen für eine Belastung von mindestens 150 kg ausgelegt sein. Die Auswahl und Montage der Dübel und Haken sollte von einem Fachbetrieb durchgeführt werden. ◀

 Achten Sie darauf, daß das aufgehängte Hardtop nicht die Freigängigkeit anderer Garageinrichtungen (Garagentor, Türen, etc.) einschränkt. ◀

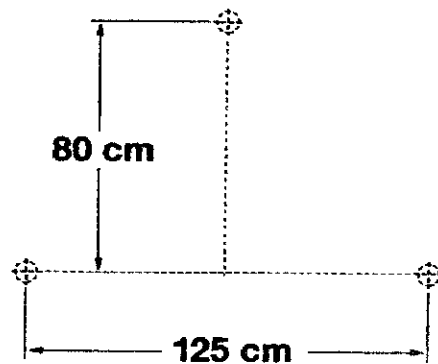
2.1 Wandmontage



F 36 82 1034

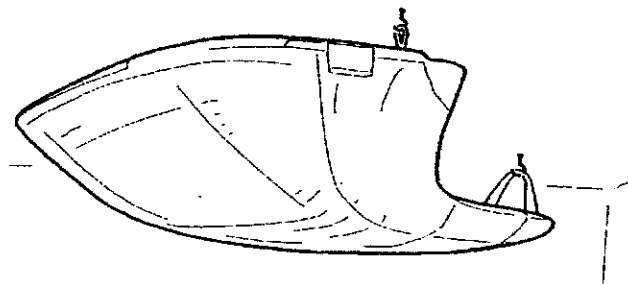
Die Bohrung für den Haken muß mindestens 175 cm über dem Boden sein. Die Verriegelungsbolzen des Hardtops müssen beim Aufhängen zur Wand zeigen.

2.2 Deckenmontage



F 36 82 1035

Löcher nach Skizze in die Decke bohren.



F 36 82 1036

Hängen Sie das Hardtop wie dargestellt an die Decke. Achten Sie dabei unbedingt darauf, daß die Ösen richtig eingehängt und die Arretierungshülsen korrekt eingerastet sind.

for BMW Z3 roadster (E36/7)

The working steps and safety advice enumerated in these fitting instructions for putting the hardtop covering on and taking it off, and for suspending the hardtop with the hardtop covering must be unconditionally complied with.

The hardtop covering is so constructed that with proper fitting and operation no damage can result to the vehicle.

BMW accepts no liability for damage which occurs as a result of not following the work sequence and safety instructions. In addition, any warranty claim against BMW AG is extinguished in the event of improper fitting and handling which diverges from the installation and operating instructions.

Safety advice

The mounting operation is to be carried out according to the installation instructions.

General notes

If the mounting operation is not carried out correctly, damage to the hardtop is a possibility. To make mounting easier, the hardtop covering should be put on by two people. Mounting of the hardtop on the wall or ceiling should also be carried out by two people.

There are three notches covered with Velcro strips on the hardtop covering. These can be used to store the hardtop with its hardtop covering using the universal lift (BMW no. 82 71 9 404 400) and the support strap for the Z3 hardtop (BMW no. 82 71 9 407 994).

Parts kit

F 36 82 1028

- 1 Hardtop covering (1x)
- 2 Locking sleeve (2x)
- 3 Installation Instructions (1x)

Contents

Section

- 1 Putting on the hardtop covering
2. Storage possibilities
 - 2.1 Wall storage
 - 2.2 Ceiling storage

1. Putting on the hardtop covering

Open the zip fastener of the hardtop covering.

F 36 82 1029

Pull the hardtop covering (1) over the hardtop (2) from the front and adjust the covering to fit the contours.



Take care when pulling the hardtop covering over that the zip fastener does not scratch the paint. ◀

F 36 82 1030

Pull the corner (1) covered with imitation leather on the right-hand side over the hardtop. Then guide the eyelet (2) over the locking pin (3).

F 36 82 1031

Pull the hardtop covering (1) from right to left over the hardtop rear edge (2). Then, as described in Fig. F 36 82 1030, pull the left corner covered with imitation leather over the hardtop and guide the eyelet over the locking pin. Now close the zip fastener.

F 36 82 1032

Place the locking sleeves (1) on the locking pins (2).

F 36 82 1033

Turn the locking sleeve (1) until the peg (2) of the locking pin engages in the notch of the locking sleeve (1).

2. Storage possibilities


The hardtop covering offers you the following possibilities for storing your hardtop:

1. Suspending the hardtop on the wall
2. Suspending the hardtop from the ceiling



The dowel and hook for mounting the hardtop on the wall must be designed for a load of at least 300 kg. The dowels and hooks for mounting on the ceiling must be designed for a load of at least 150 kg.

The selection and mounting of the dowels and hooks must be done by a specialist firm. ◀

 Make sure that the suspended hardtop does not restrict clearance for other garage facilities (garage doors, other doors, etc.). ◀

2.2 Wall storage

F 36 82 1034

The drill hole for the hook must be at least 175 cm above the floor. The locking pins of the hardtop must point towards the wall when it is suspended.

2.1 Ceiling storage

F 36 82 1035

Drill holes in the ceiling according to the diagram.

F 36 82 1036

Hang the hardtop on the ceiling as shown. It is essential to make sure that the eyelets are hitched on properly and that the locking sleeves are properly engaged.